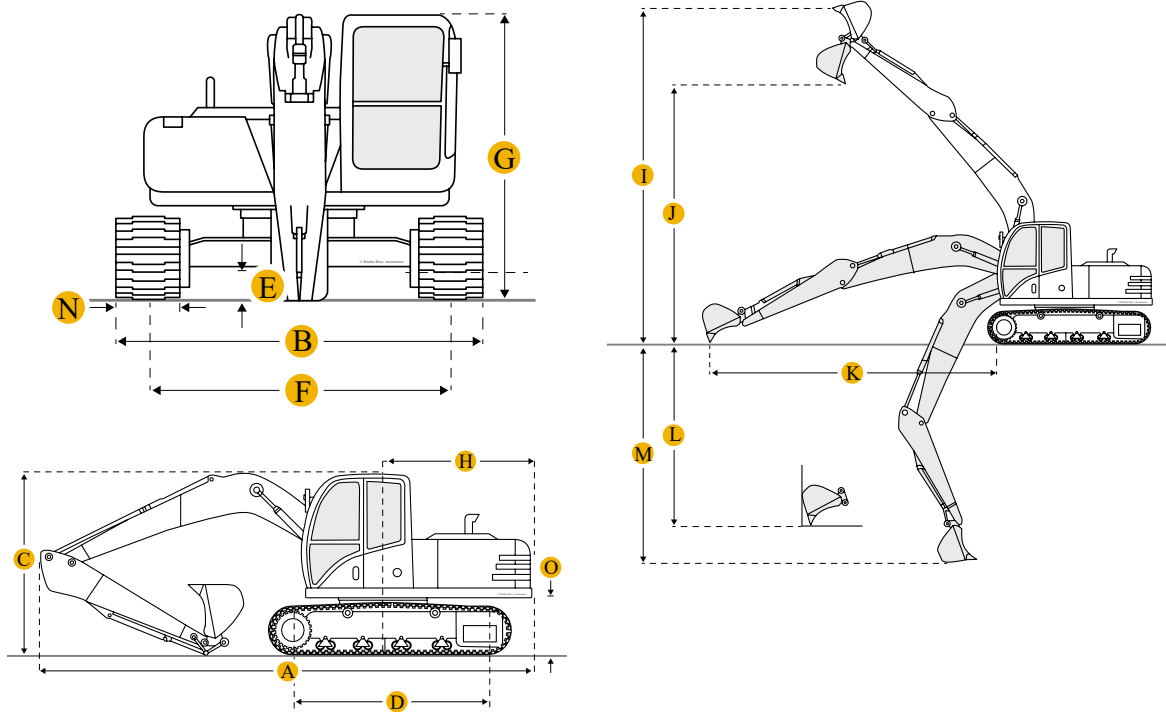


Caterpillar 349E Hydraulic Excavator



Specifications

Engine

Engine Make

2236

Engine Model

C13 ACERT

Gross Power

432 hp

Net Power

396 hp

Displacement	763 cu in
Bore	5.2 in
Stroke	6.2 in
Net Power - SAE J1349	396 hp
Gross Power - SAE J1995	432 hp
Engine Model	Cat C13 ACERT
Net Flywheel Power	396 hp
Operational	
Operating Weight	117500 lb
Fuel Capacity	190 gal
Cooling System Fluid Capacity	13.2 gal
Hydraulic System Fluid Capacity	150.6 gal
Engine Oil Capacity	11.4 gal
Swing Drive Fluid Capacity	2.6 gal
Swing Mechanism	
Swing Speed	8.7 rpm
Swing Torque	109500 lb ft
Undercarriage	
Number of Shoes per Side	52
Number of Carrier Rollers per Side	2 or 3
Number of Track Rollers per Side	9
Weights	
Operating Weight	117500 lb
Minimum Weight*	105400 lb
Maximum Weight**	117500 lb
Hydraulic System	

Pilot System - Maximum Flow	7.1 gal/min
Pilot System - Maximum Pressure	598 psi
Maximum Pressure - Travel	5076 psi
Maximum Pressure - Swing	3989 psi
Swing System - Maximum Flow	102 gal/min
Boom Cylinder - Bore	6.7 in
Boom Cylinder - Stroke	60 in
Stick Cylinder - Bore	7.5 in
Stick Cylinder - Stroke	69.3 in
Main System - Maximum Flow - Total	203 gal/min
Maximum Pressure - Equipment	5076 psi
Maximum Pressure - Equipment - Lift Mode	5512 psi
TB Family Bucket Cylinder - Stroke	53.4 in
TB Family Bucket Cylinder - Bore	6.3 in
UB Family Bucket Cylinder - Bore	6.7 in
UB Family Bucket Cylinder - Stroke	55 in
Service Refill Capacities	
Cooling System	13.2 gal
Final Drive - Each	4 gal
Hydraulic Tank	107.5 gal
Hydraulic System - Including Tank	150.6 gal
Fuel Tank Capacity	190 gal
Swing Drive - Each	2.6 gal
Engine Oil - With Filter	11.4 gal
Standards	
Cab - ROPS	ISO 12117-2

Brakes	ISO 10265
Cab/FOGS	SAE J1356
Sound Performance	
Operator Noise (Closed) - ISO 6396	71 dB(A)
Spectator Noise - ISO 6395	106 dB(A)
Track	
Number of Shoes - Each Side - Long Fix Undercarriage	52
Number of Track Rollers - Each Side - Long Fix Undercarriage	9
Number of Carrier Rollers - Each Side - Long Fix Undercarriage	2
Number of Shoes - Each Side - Long Variable Gauge Undercarriage	52
Number of Track Rollers - Each Side - Long Variable Gauge Undercarriage	9
Number of Carrier Rollers - Each Side - Long Variable Gauge Undercarriage	3
Drive	
Maximum Travel Speed	2.9 mph
Maximum Drawbar Pull	75300 lb
