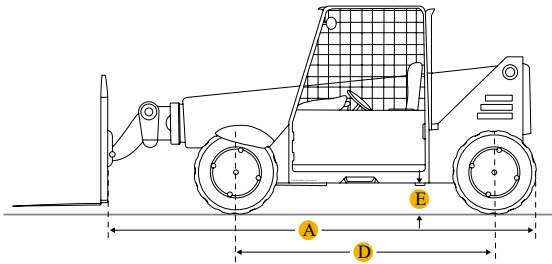
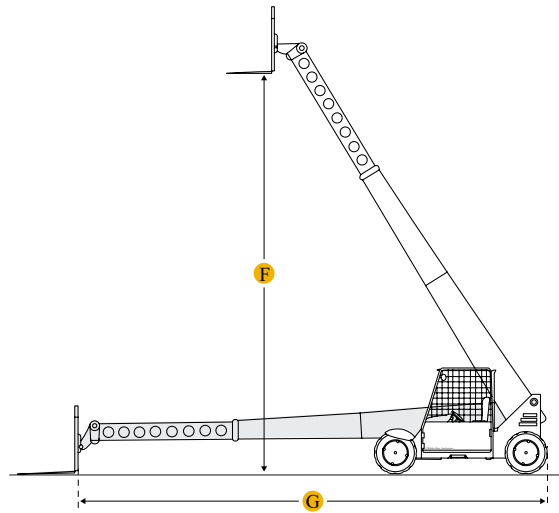
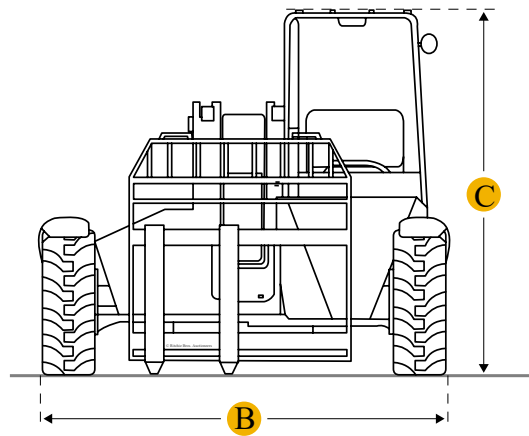


Caterpillar TL1055 Telescopic Forklift



Dimensions

Dimensions

A	Length to Fork Face	20.8 ft in
B	Width Over Tires	8.4 ft in
C	Overall Height	8.4 ft in
D	Wheelbase	12 ft in

E	Ground Clearance	1.5 ft in
Lift		
F	Max Lift Height	55 ft in
G	Max Forward Reach	42.5 ft in

Specifications

Engine

Engine Make	2236
Engine Model	C4.4 TA
Gross Power	125 hp
Net Power	118.7 hp
Displacement	269 cu in
Bore	4.2 in
Stroke	5 in
Engine Model	Cat C4.4 EDITAAC, Tier 3
Gross Power - Basic	125 hp
Net Power (Basic)	118.7 hp

Operational

Operating Weight	34700 lb
Fuel Capacity	38 gal
Hydraulic System Fluid Capacity	60 gal

Transmission

Max Speed - forward	18.9 mph
----------------------------	----------

Weights

Operating Weight	34910 lb
-------------------------	----------

Tires

Standard

14.00 x 24 - 12 PR

Optional Construction

14.00 x 24 Foam Filled, Rock Lug or Solid

Hydraulic System

Pump Type

Load sensing piston

Hydraulic

Pump Type

Load sensing piston

Lift

Max Lift Capacity

10000 lb

Max Lift Height

55 ft in

Max Load at Max Height

5000 lb

Max Forward Reach

42.5 ft in

Max Load at Max Reach

3000 lb

Axles

Manufacturer

Dana

Operator Station

Features

Vinyl suspension seat, single electronic joystick, spacious interior, ergonomic cab

Brakes

Parking Brake

mechanical on front axle

FeaturesService Brakes - inboard wet disc brakes on front and rear axles;
Parking Brakes - mechanical on front axle

Dimensions

Height

8.4 ft in

Width

8.4 ft

Length to Fork Face	20.8 ft in
Width Over Tires	8.4 ft in
Overall Height	8.4 ft in
Wheelbase	12 ft in
Ground Clearance	1.5 ft in
Turning Radius Outside Tires	14 ft in
Wheel Base	12 ft in
Length - Fork Face	20.8 ft in
Turning Radius - Over Tires	14 ft in
Operating Specifications	
Rated Load Capacity	10000 lb
Maximum Lift Height	55 ft in
Maximum Forward Reach	42.5 ft in
Top Travel Speed	18.9 mph
Load at Maximum Height	5000 lb
Load at Maximum Reach	2500 lb
Load at Maximum Height - Stabilizers Down	5000 lb
Load at Maximum Reach - Stabilizers Down	2500 lb
Service Refill Capacities	
Fuel Tank	38 gal
Hydraulic Tank	60 gal
Hydraulic System	60 gal
Boom Performance	
Boom Up	15.7 s
Boom Down	13.9 s
Tele In	13.9 s

Tele Out

17.6 s

Drawbar Pull - Basic

20000 lb

Instrumentation

Features

Volt meter, hourmeter, engine oil pressure gauge, fuel gauge, water temperature gauge
