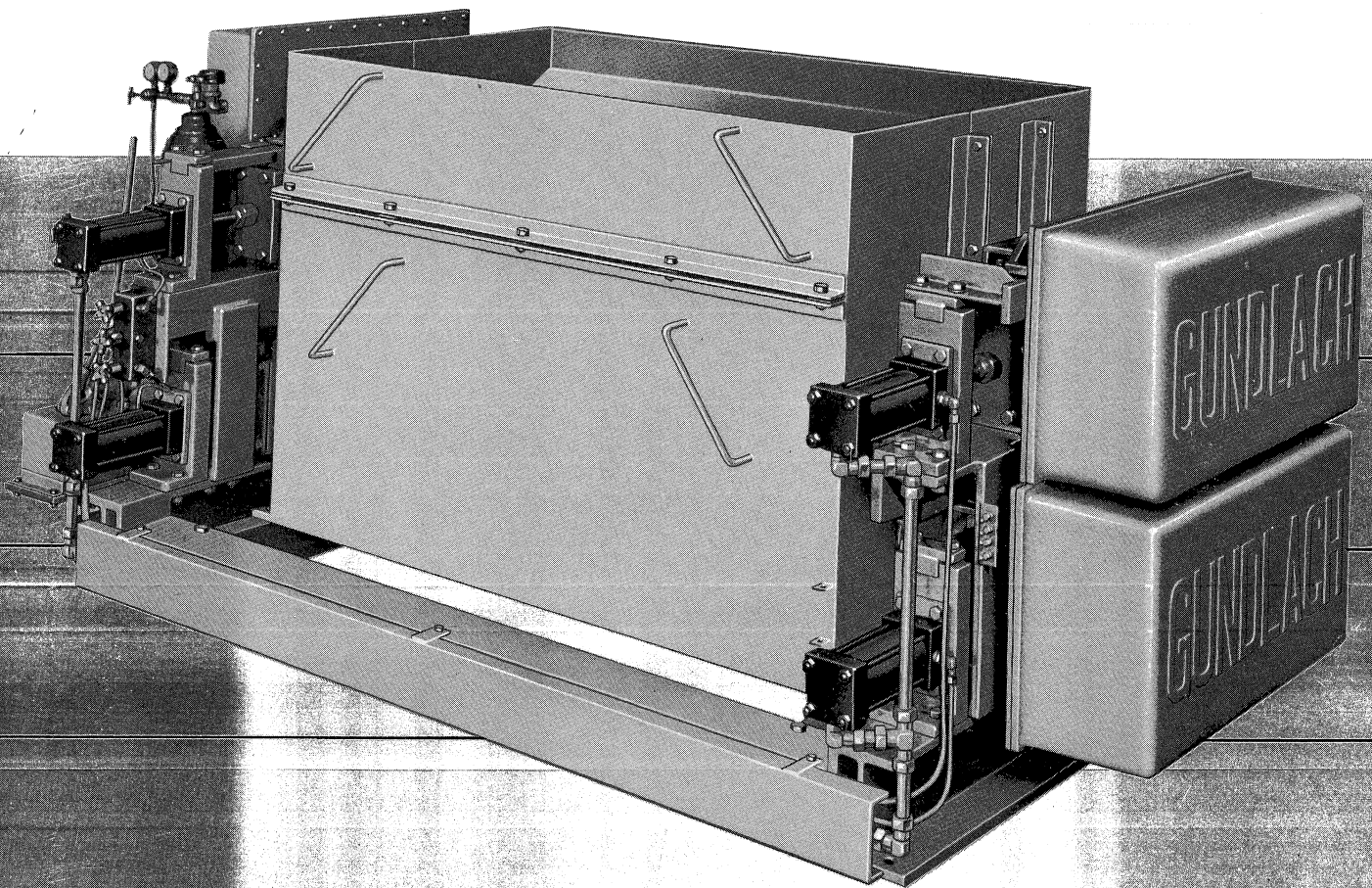


Gundlach

ROLL CRUSHERS

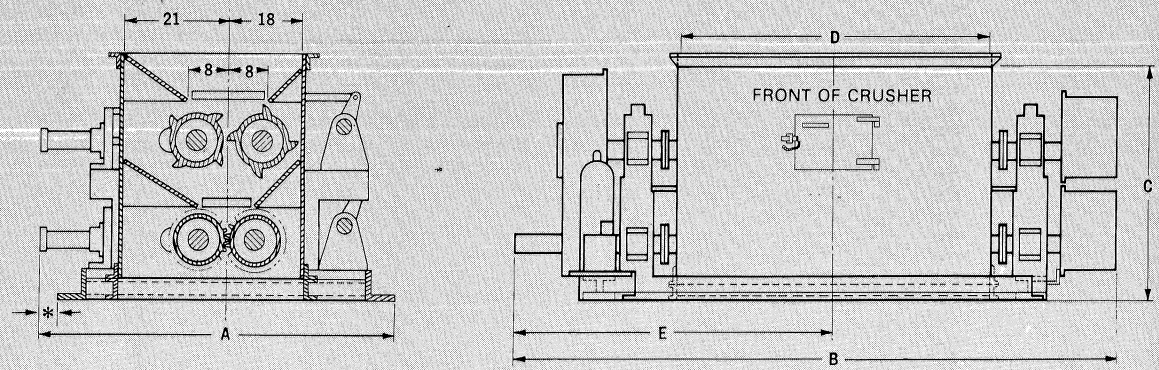


uniform crushing and sizing with less fines for a wide range of materials

two-stage crushing — coupling mounted rolls which eliminate through-shafts — positive timing, precision-engineered gear boxes — “pocket tooth” roll design — NITROIL® control system — circular segmented rolls

STANDARD DUTY ROLL CRUSHER SPECIFICATIONS

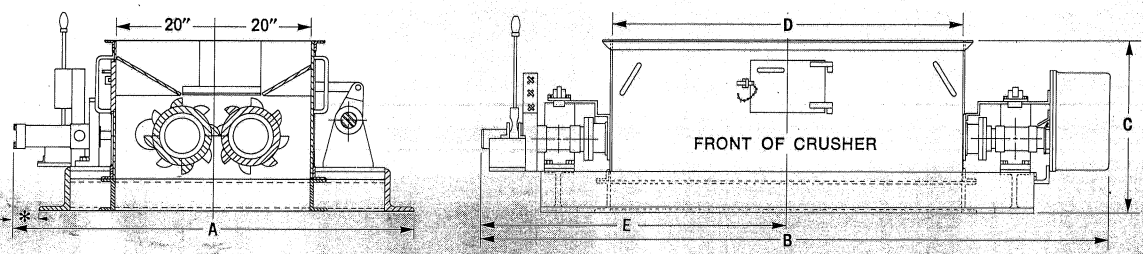
DIMENSIONS FOR TWO STAGE CRUSHERS



Model	Approx. Weight	HP	** CAPACITY-TPH						Max. Size Feed	A Length	B Width	C Height	D	E
			3/4"	1"	1-1/4"	1-1/2"	2"	4"						
18DA	4500	20/30	40	45	50	55	60	80	HOPPER Opening 16" X D	71	70	50	19	39
27DA	6000	30/40	70	80	90	100	110	130		71	80	50	29	44
36DA	8000	40/50	120	130	140	150	160	200		71	90	50	39	49
45DA	10000	50/60	170	180	190	200	210	250		71	100	52	49	54
56DA	11500	60/75	220	230	240	250	300	400		71	110	52	59	59
70DA	14500	100/150	275	300	325	350	400	500		76	138	53	69	73
80DA	17000	150/200	300	325	350	400	500	600	76	148	53	79	78	

* 8 inches on 18DA thru 56DA, 5 inches on 70DA and 80DA
 ** Based on a material density of 50 lbs./ft.³
 DIMENSIONS CORRECT TO NEAREST INCH

DIMENSIONS FOR SINGLE STAGE CRUSHERS



Model	Approx. Weight	HP	Max. Size Feed	A Length	B Width	C Height	D	E
18SS	2600	20	Hopper	72	61	32	19	29
27SS	4000	30	Opening	72	71	32	29	34
36SS	5300	40	16" x D	72	81	32	39	39
45SS	6300	50		72	91	32	49	44
56SS	7400	60		72	101	32	59	49
70SS	9200	75/100		80	125	33	69	61
80SS	11,000	100/150		80	135	33	79	66

* 8 inches on 18SS thru 56SS, 5 inches on 70SS and 80SS
 Capacities are approximately the same as the Two Stage Crushers.
 DIMENSIONS CORRECT TO NEAREST INCH

GUNDLACH Crushers are protected by patents and patent applications in U.S.A. and foreign countries.



T. J. Gundlach
 Machine Division

P.O. Box 385, Belleville, Illinois 62222
 Phone 618-233-7208/TWX 910-756-2081