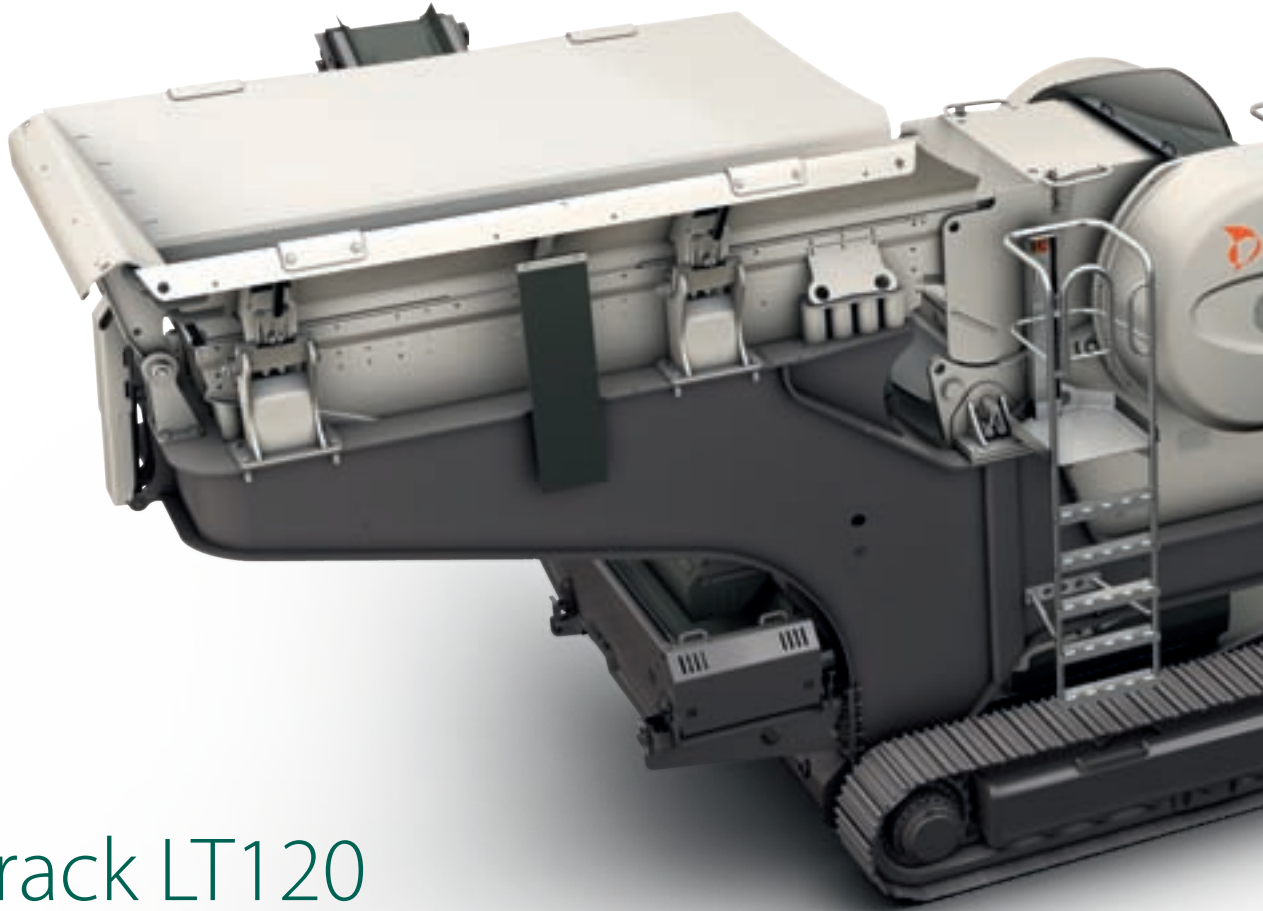


# Mobile crushing plant Lokotrack LT120





# Lokotrack LT120 Next Level of Crushing

Lokotrack LT120 is the latest and most advanced of Metso's track-mounted jaw crusher plants. This robust new solution for mobile crushing is an outcome of combining solid experience with a new way of thinking. The thorough design process giving attention to every detail guarantees outstanding performance, and high-quality Metso parts ensure a reliable solution.

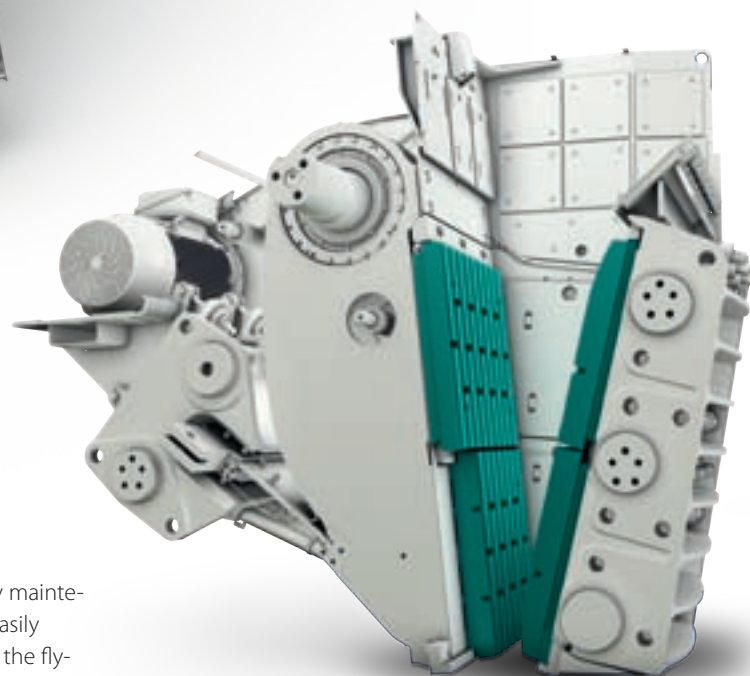
## Reliable productivity

A reliable and efficient mobile crushing plant is a sum of several factors working together smoothly. The new Metso C120 jaw crusher with its 1200 x 870 mm (47 x 34") feed opening provides excellent capacity even in the toughest applications. The hydraulic drive ensures trouble-free operation and enables crusher direction to be changed in case of blockage. The totally new Caterpillar C13 engine module provides optimal power to the high inertia flywheels.

## Easy to transport

Thanks to its compact dimensions combined with agile tracks, the Lokotrack LT120 is a very easily transportable unit. Chassis design with good clearance at both ends enables simple loading on a trailer. The feed hopper sides equipped with a patented securing system allow the unit to be ready for crushing only moments after arriving onsite. The side conveyor with its excellent stock pile capacity is easy to install on either side of the unit.





### Safe to operate and maintain

In designing the Lokotrack LT120, quick and easy maintenance was a major driver. The jaw die bolts are easily accessible, and the composite covers protecting the flywheels can be safely and easily opened. Having good access and proper platforms really make a difference in daily operational safety.

*Capacity is maximised with an excellent nip angle and aggressive linear stroke.*

### Efficiency with electricity

Lokotrack LT120E is an alternative to the hydraulic driven version. With the electrically driven version energy can be taken either from an external power supply or from a 420 kVA onboard diesel generator. The electrically driven crusher and conveyors enable a highly effective, economical and environment-friendly process. The Lokotrack LT120E electrical system is designed in such a way that it provides the same benefits in operation and maintenance as the hydraulic version.

#### Lokotrack LT120:

- The robust Metso C120 crusher provides high capacity in all applications
- Compact dimensions enable excellent transportability
- Safe and reliable process with easy control system
- Smart design makes maintenance quick and safe



- 1 Composite flywheel covers allow quick and easy changing of the drive belts.
- 2 The feed hopper sides and locking mechanism are hydraulically operated.
- 3 Proper access stairs and platforms help to create a safe working environment.
- 4 The Lokotrack LT120E crusher and conveyors are electrically driven.



Technical specification			
<b>C120 jaw crusher</b>			
Feed opening	1200 x 870 mm	47 x 34"	
<b>Feed hopper</b>			
Standard	7 m <sup>3</sup>	9 yd <sup>3</sup>	
With extensions	12 m <sup>3</sup>	16 yd <sup>3</sup>	
Loading height	4.5 m	14' 9"	
<b>Feeder</b>			
Width	1200 mm	47"	
Length	4200 mm	13' 9"	
<b>Side conveyor</b>			
Width	650 mm	26"	
Length	7 m	22' 11"	
<b>Main conveyor</b>			
Width	1200 mm	47"	
Discharge height (standard)	3400 mm	11' 2"	
Discharge height (optional)	4600 mm	15' 1"	

<b>Engine</b>			
Caterpillar C13	310 kW	415 hp	
Generator (LT120E)	420 kVA		
<b>Transport dimensions</b>			
Length	16000 mm	52' 6"	
Width	3000 mm	9' 10"	
Height	3900 mm	12' 10"	
Weight (LT120)	57 tons	114000 lbs	
Weight (LT120E)	63 tons	126000 lbs	
<b>Noise emissions</b>			
L <sub>WA</sub> (EN ISO 9614)*	124 dB		
L <sub>PA</sub> (EN ISO 11202)**	99 dB		
<b>Options</b>			
Long main conveyor, hammer and boom, magnetic separator, automatic lubrication unit, radio remote control, water spraying system, belt protection plate, additional side plates for hopper, rubber lining for feeder and hopper, hydraulic generator (Lokotrack LT120), pre-heater for engine, interlocking cable, hot and cold climate kits.			

\*L<sub>WA</sub> =A-weighted sound power level

\*\*L<sub>PA</sub> =A-weighted sound pressure level at the workstation

The Lokotrack LT120 is easily transportable on a trailer. The unit pictured is equipped with an optional 16 m (52' 6") hydraulically foldable main conveyor.



## LOKOTRACK LT120



"The Lokotrack LT120 has really exceeded our expectations with its high performance and low running costs."

**Jouni Karra**  
Crushing Manager  
Soraset Yhtiöt Oy  
Finland







## Metso's Mining and Construction crushing and screening equipment

### Product families:

#### Crushers

- C series jaw crushers
- SUPERIOR® gyratory crushers
- GP series cone crushers
- HP series cone crushers
- MP series cone crushers
- NP series horizontal impact crushers
- Barmac series vertical impact crushers

#### Screens

- DF series screens
- CVB series screens
- FS series screens
- TS series screens
- MF series screens
- RF series screens

#### Feeders

- TK series feeders
- VF series feeders
- LH.G series feeders
- VG series feeders
- PF series feeders
- HRBM series feeders

#### Mobile crushing and screening plants

- Lokotrack LT series track-mounted crushing plants
- Lokotrack ST series track-mounted screening plants
- Lokotrack CT and CW series track- and wheel-mounted conveyors
- Nordberg NW series wheel-mounted crushing and screening plants

#### Stationary crushing plants

- Complete plants for aggregates production
- Complete plants for recycling applications



All Metso Minerals Oy Tampere Works equipment is produced in accordance with a quality assurance system that complies with the ISO 9001 standard, as certified by Lloyd's Register Quality Assurance Limited.



[www.metso.com](http://www.metso.com)  
[minerals.info.csr@metso.com](mailto:minerals.info.csr@metso.com)

#### AUSTRALIA AND NEW ZEALAND

Metso Minerals (Australia) Ltd  
1110 Hay Street  
West Perth, WA 6005  
Australia  
Phone: +61 8 9420 5555  
Fax: +61 8 9320 2500

#### CHINA

Metso Minerals (Beijing) Ltd  
19/F, The Exchange Beijing, Tower 4  
No. 118 Jian Guo Lu Yi Chaoyang District  
100022 Beijing  
China  
Phone: +86 10 6566 6600  
Fax: +86 10 6566 2583

#### EUROPE, MIDDLE EAST AND AFRICA

Metso Minerals España, S.A.  
C/ Rivas N° 4  
28032 Madrid  
Spain  
Phone: +34 91 825 5700  
Fax: +34 91 825 5740

#### INDIA AND ASIA-PACIFIC

Metso Minerals (India) Pvt Ltd  
1st Floor, DLF Building No. 10,  
Tower A, DLF Cybercity  
DLF Phase II  
Gurgaon 122002  
India  
Phone: +91 124 235 1541  
Fax: +91 124 235 1601

#### NORTH AND CENTRAL AMERICA

Metso Minerals Industries Inc.  
20965 Crossroads Circle  
Waukesha, WI 53186  
U.S.A.  
Phone: +1 262 717 2500  
Fax: +1 262 717 2504

#### RUSSIA AND OTHER CIS COUNTRIES

ZAO Metso Minerals (CIS)  
Pulkovskoe shosse, 40/4 "A"  
office building "Technopolis"  
196158, St. Petersburg  
Russia  
Phone: +7 812 333 40 00  
Fax: +7 812 333 40 01

#### SOUTH AMERICA

Metso Minerals Indústria e Comércio Ltda  
Avenida Independência, 2500 - Éden  
18087-050 Sorocaba  
Brazil  
Phone: +55 15 2102 1300  
Fax: +55 15 2102 1696

#### METSO'S MINING AND CONSTRUCTION

Lokomonkatu 3, P.O.Box 306  
FI-33101 Tampere  
Finland  
Phone: +358 20 484 142  
Fax: +358 20 484 143