

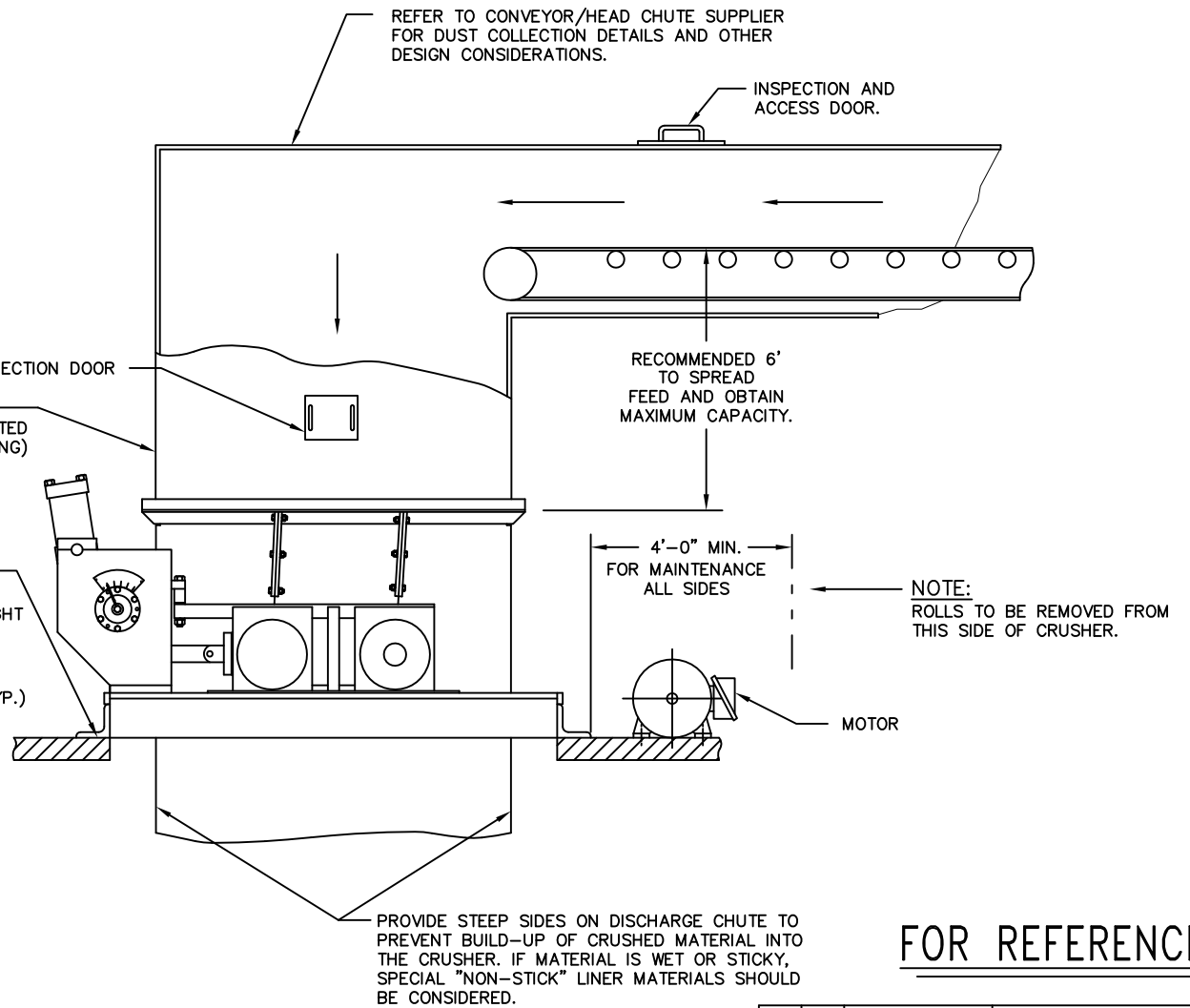
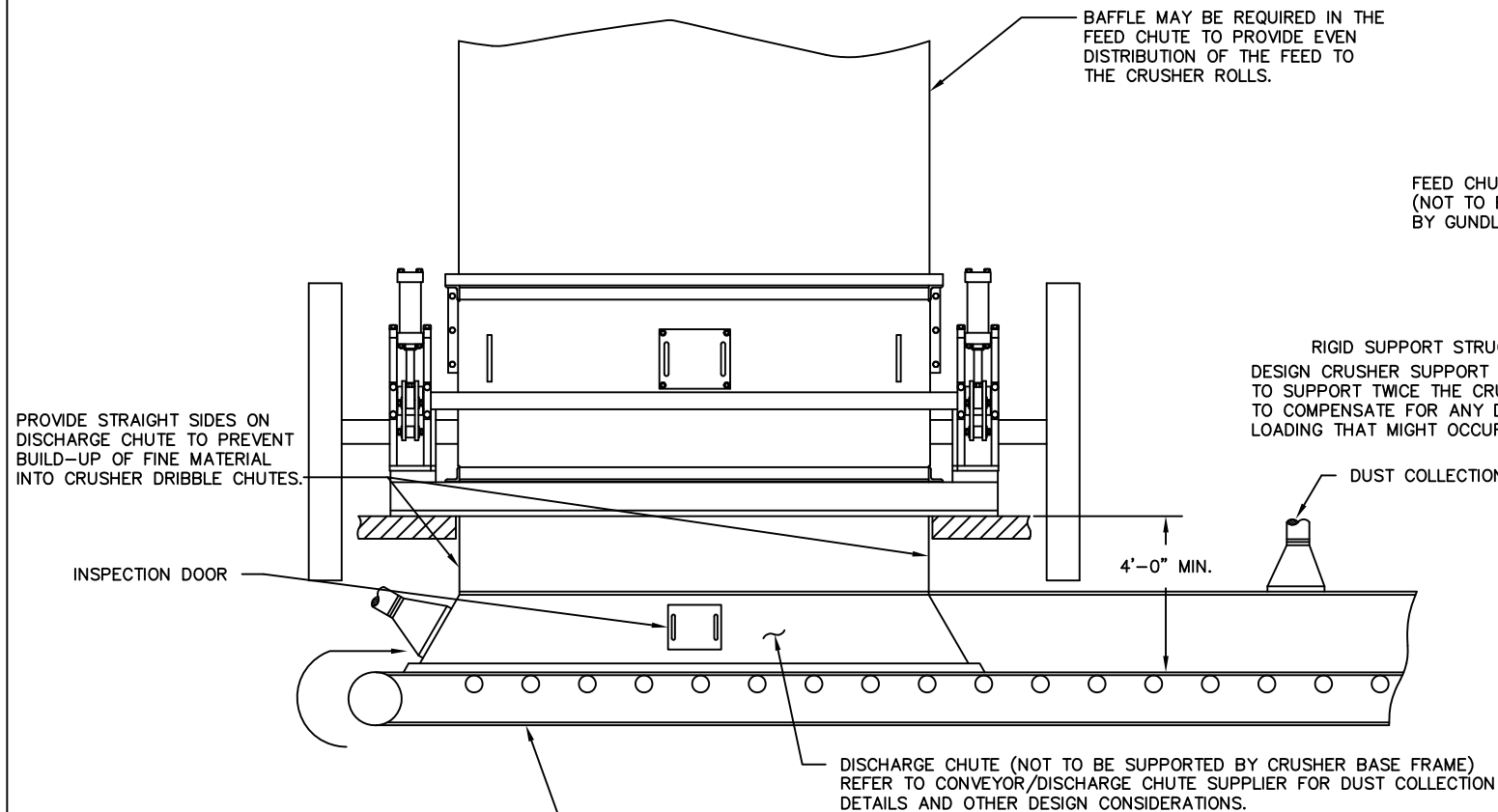
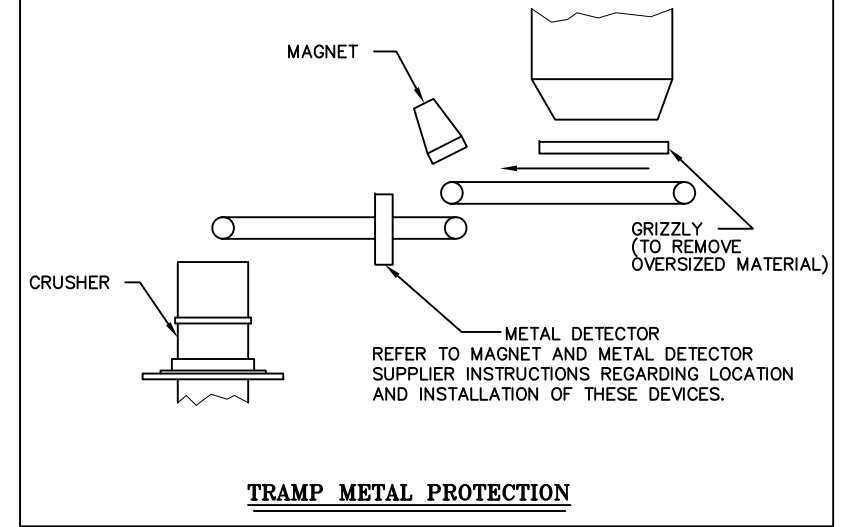
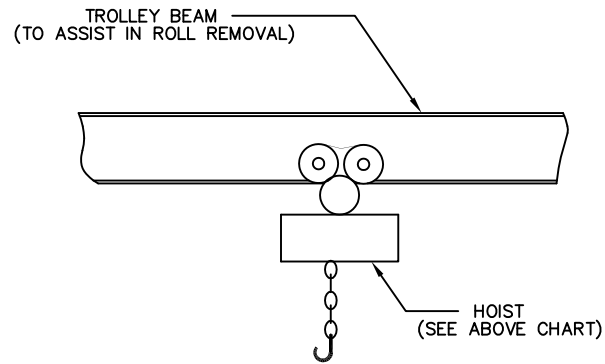
NOTES—

- 1) THIS IS A STANDARD SUGGESTED INSTALLATION DRAWING. IT IS NOT CUSTOMIZED FOR EACH UNIT, THEREFORE SPECIFIC OPTIONS FOR A CUSTOMER'S PARTICULAR UNIT MAY NOT BE SHOWN.
- 2) THIS DRAWING IS SUPPLIED FOR REFERENCE PURPOSES ONLY. IT IS NOT SUPPLIED FOR REVIEW/APPROVAL.

HOIST SIZE (FOR ROLL REMOVAL ONLY)	
CRUSHER	HOIST CAPACITY
④ 4020	1.5 TON
4040	2 TON
4060	3 TON
4080	4 TON
④ 4100	5 TON

④ GENERATED AIRFLOWS FOR
4000 SERIES ROLL CRUSHERS

ROLL LENGTH (in.)	SCFM	nm ³ /hr
20	500	850
30	750	1,275
40	1,000	1,700
50	1,250	2,125
60	1,500	2,550
70	1,750	2,975
80	2,000	3,400
100	2,500	4,250



FOR REFERENCE ONLY

Information on this drawing is proprietary and confidential

Details contained herein shall not be used for the purpose of fabricating, machining or processing in any manner to produce a part or assembly, and the drawing cannot be reproduced without the express written permission by an authorized officer of GUNDLACH EQUIPMENT CORPORATION, Belleville, IL, U.S.A., without incurring infringement liability.

THE DISCHARGE CONVEYOR SHOULD BE LOCATED WITH ADEQUATE CLEARANCE BELOW THE CRUSHER TO ELIMINATE BUILD-UP OF CRUSHED MATERIAL INTO THE CRUSHER DURING PERIODS OF SURGE LOADING.

SYMBOL	REVISION	DATE	BY	NEXT ASSEMBLY
Ⓞ	ADDED GEN. AIRFLOW CHART	08-29-88	RA	
Ⓣ	REVISED PICTORIALY	02-25-89	RA	
Ⓢ	GENERAL REVISIONS	10-05-89	RA	
Ⓝ	ADDED 4100 TO CHART	08-08-89	PD	
Ⓞ	HOIST CAPACITY WAS: 1. 1 TON, 2. 1.5 TON, 3. 2 TON, & 4. 2.5 TON	08-29-88	DTM	
Ⓢ	ADDED MODEL 4020 TO CHART	08-04-88	TA	
Ⓢ	TITLE WAS SSA CRUSHER	08-15-88	BT	

ITEM	QTY.	PART NO.	DESCRIPTION
TOLERANCES EXCEPT AS NOTED			
DECIMAL			
FRACTIONAL			
ANGULAR			
MATERIAL		SCALE	DRAWN BY B. HARGIS
		NONE	APPROVED BY GAM
TITLE			
4000 SERIES CRUSHER SUGGESTED INSTALLATION			
DATE	DRAWING NUMBER		
10-16-89	D0-1848-00		