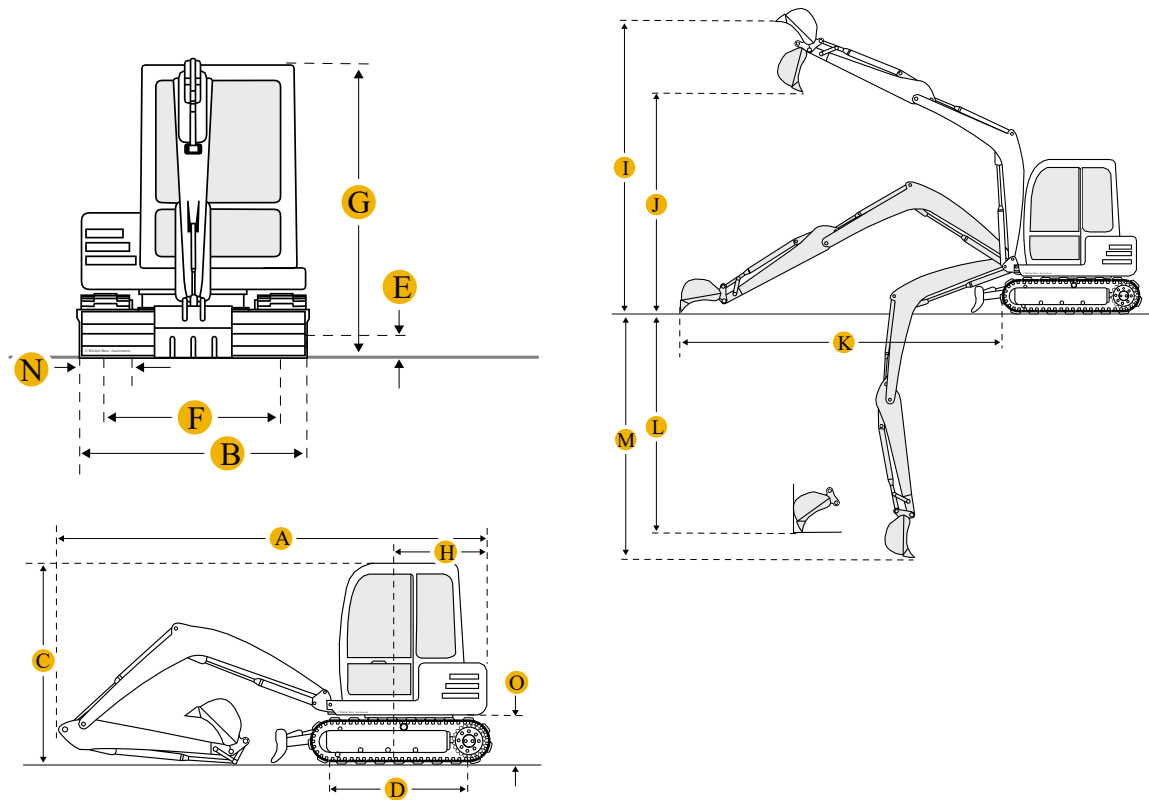


Caterpillar 302.5C Mini Excavator



Dimensions

Boom/Stick Option (HEX) 1

A	Shipping Length of Unit	14.83 ft in
C	Shipping Height of Unit	7.5 ft in
I	Max Cutting Height	14.25 ft in

J	Max Loading Height	10.17 ft in
K	Max Reach Along Ground	14.92 ft in
L	Max Vertical Wall Digging Depth	6.25 ft in
M	Max Digging Depth	8.67 ft in

Boom/Stick Option (HEX) 2

A	Shipping Length of Unit	14.83 ft in
C	Shipping Height of Unit	7.5 ft in
I	Max Cutting Height	14.83 ft in
J	Max Loading Height	10.75 ft in
K	Max Reach Along Ground	15.75 ft in
L	Max Vertical Wall Digging Depth	7.17 ft in
M	Max Digging Depth	9.58 ft in

Dimensions

B	Width to Outside of Tracks	4.75 ft in
D	Length of Track on Ground	6.33 ft in
E	Ground Clearance	0.87 ft in
G	Height to Top of Cab	7.5 ft in
H	Tail Swing Radius	4.17 ft in
F	Track Gauge	3.77 ft in

Undercarriage

F	Track Gauge	3.75 ft in
N	Shoe Size	12 in

Specifications

Swing System

Swing System Type	Hydraulic motor-driven
Machine Swing Speed	9.5 rpm
Boom Swing - Left - Without Stop	90 degrees
Boom Swing - Left - With Stop	54 degrees
Boom Swing - Right	48 degrees
Engine	
Number of Cylinders	3
Engine Make	2251
Engine Model	S3L2
Gross Power	26.7 hp
Net Power	24.9 hp
Power Measured @	2300 rpm
Displacement	80.4 cu in
Engine Model	Mitsubishi S3L2 NA Diesel
Operational	
Operating Weight	6283 lb
Fuel Capacity	10 gal
Cooling System Fluid Capacity	1.2 gal
Hydraulic System Fluid Capacity	13.2 gal
Engine Oil Capacity	1.7 gal
Operating Voltage	12 V
Alternator Supplied Amperage	50 amps
Hydraulic System Relief Valve Pressure	3205 psi
Hydraulic Pump Flow Capacity	8.2 gal/min
Swing Mechanism	
Swing Speed	9.5 rpm

Undercarriage

Shoe Size 12 in

Max Travel Speed 3.1 mph

Track Gauge 3.8 ft in

Weights

Operating Weight 6052 lb

Operating Weight - With Cab 6283 lb

Buckets

Reference Bucket Capacity 0.1 yd³

Minimum Bucket Capacity 0.1 yd³

Maximum Bucket Capacity 0.2 yd³

Hydraulic System

Operating Pressure - Swing 2524 psi

Operating Pressure - Equipment 3205 psi

Operating Pressure - Travel 3205 psi

Digging Force - Stick - Standard 3439.6 lb

Digging Force - Stick - Long 2945 lb

Digging Force - Bucket 5440.4 lb

Auxiliary Circuits - Primary - At 174 bar 16.9 gal/min

Auxiliary Circuits - Secondary - At 174 bar 3.8 gal/min

Pump - Piston (Tandem) 8.2 gal/min

Pump - Gear (Dual) (Swing, Pilot) 4.9 gal/min

Blade

Height 12.6 in

Width 4.8 ft in

Lift Height 11.2 in

Dig Depth	16.5 in
Boom/Stick Option (HEX) 1	
Boom/Stick Option (HEX) 1	Standard Stick
Shipping Height of Unit	7.5 ft in
Shipping Length of Unit	14.9 ft in
Max Digging Depth	8.7 ft in
Max Reach Along Ground	15 ft in
Max Cutting Height	14.3 ft in
Max Loading Height	10.2 ft in
Max Vertical Wall Digging Depth	6.3 ft in
Boom/Stick Option (HEX) 2	
Boom/Stick Option (HEX) 2	Long Stick
Shipping Height of Unit	7.5 ft in
Shipping Length of Unit	14.9 ft in
Max Digging Depth	9.6 ft in
Max Reach Along Ground	15.8 ft in
Max Cutting Height	14.9 ft in
Max Loading Height	10.8 ft in
Max Vertical Wall Digging Depth	7.2 ft in
Dimensions	
Track Gauge	3.8 ft in
Width to Outside of Tracks	4.8 ft in
Height to Top of Cab	7.5 ft in
Ground Clearance	0.9 ft in
Removal Counterweight Clearance	1.8 ft in

Tail Swing Radius	4.2 ft in
Length of Track on Ground	6.4 ft in
Transport Width	4.8 ft in
Shipping Length	14.8 ft in
Shipping Height	7.6 ft in
Length - Center of Rollers	14.91 ft
Maximum Digging Depth - Standard Stick	8.7 ft in
Maximum Reach - Ground Level - Standard Stick	15 ft in
Maximum Dump Height - Long Stick	10.8 ft in
Maximum Cutting Height - Long Stick	14.9 ft in
Maximum Horizontal Reach - Long Stick	10.8 ft in
Maximum Digging Depth - Long Stick	16.2 ft in
Swing Radius - Rear	4.2 ft in
Track Shoe Width	1 ft in
Width - Over Track	4.8 ft in
Height - Over Cab	7.6 ft in
Maximum Dump Height - Standard Stick	10.2 ft in
Maximum Vertical Dig Depth - Standard Stick	6.3 ft in
Maximum Horizontal Reach - Standard Stick	10.2 ft in
Maximum Cutting Height - Standard Stick	14.3 ft in
Service Refill Capacities	
Cooling System	1.2 gal
Fuel Tank	10 gal
Hydraulic Tank	9.5 gal
Hydraulic System	13.2 gal
Engine Oil	1.7 gal

Engine Dimensions

Bore	3.1 in
Stroke	3.6 in
Displacement	80.4 cu in

Sound Levels

Cab	81 dB(A)
Canopy	81 dB(A)

MSC Comments

MSC Spec Date	8/05
----------------------	------

Travel System

Maximum Traction Force - High Speed	2788 lb
Maximum Traction Force - Low Speed	5305 lb
Gradeability - Maximum - High	30 degrees
Travel Speed - High	3.1 mph
Travel Speed - Low	1.6 mph