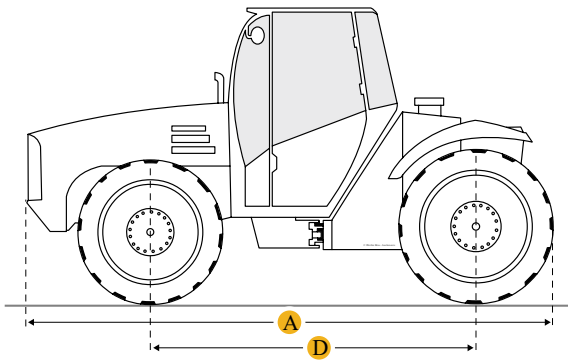
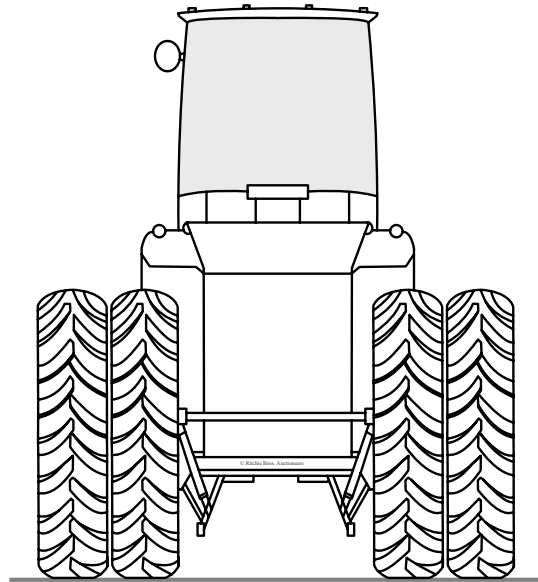
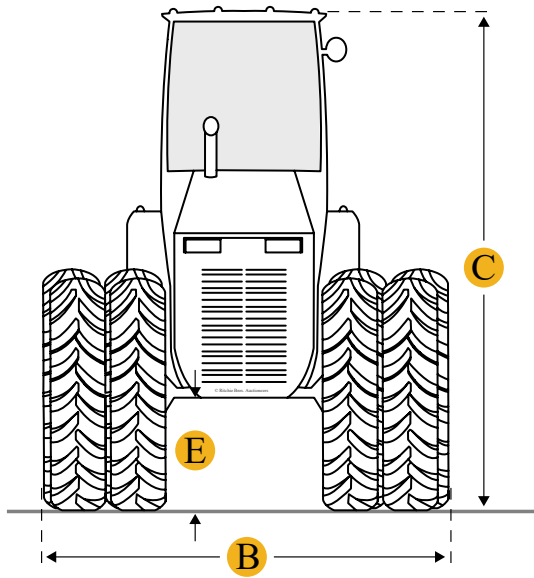


Challenger MT755B 4WD Tractor



Dimensions

Dimensions

A	Overall Length	19.42 in
B	Width Outside Frame	11.08 ft in
C	Height to Top of Cab	11.3 ft in
D	Wheelbase	8 in
E	Ground Clearance	14.38 in

Specifications

Engine

Number of Cylinders	6
Engine Make	2236
Engine Model	C9 ACERT Tech Tier 3
Gross Power	301 hp
PTO Power	245 hp
Power Measured @	2100 rpm
Displacement	537 cu in
Aspiration	Turbocharged and Air-to-Air Aftercooled

Operational

Operating Weight	31075 lb
Fuel Capacity	118.1 gal
3 Point Hitch Type	Standard Cat.3/3N
3 Point Hitch Lift Capacity @ 24 inches	16000 lb
Operating Voltage	24 V
Alternator Supplied Amperage	185 amps

Transmission

Transmission Type	Powershift
--------------------------	------------

Number of Forward Gears	16
Number of Reverse Gears	4
Max Speed	24.6 mph
Hydraulic System	
Pump Flow Capacity	43.5 gal/min
Relief Valve Pressure	2900 psi
Number of Remote Control Valves	4
Dimensions	
Wheelbase	8 in
Overall Length	19.5 in
Height to Top of Cab	11.3 ft in
Ground Clearance	14.4 in
Width Outside Frame	11.1 ft in