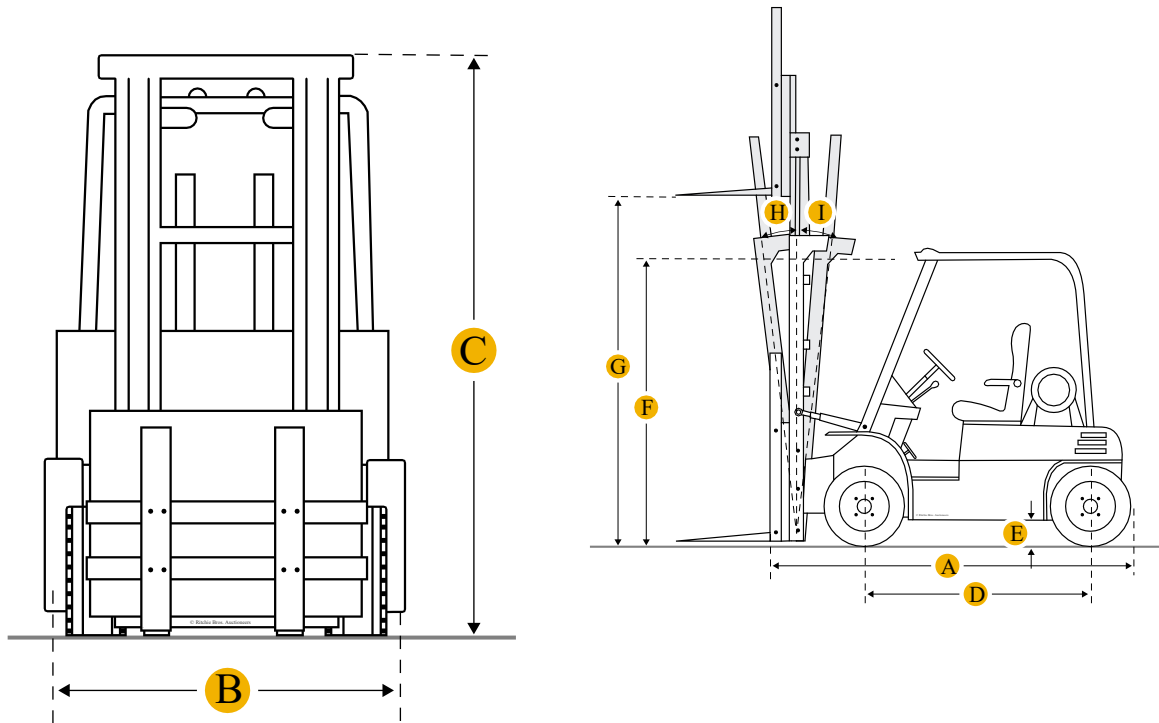
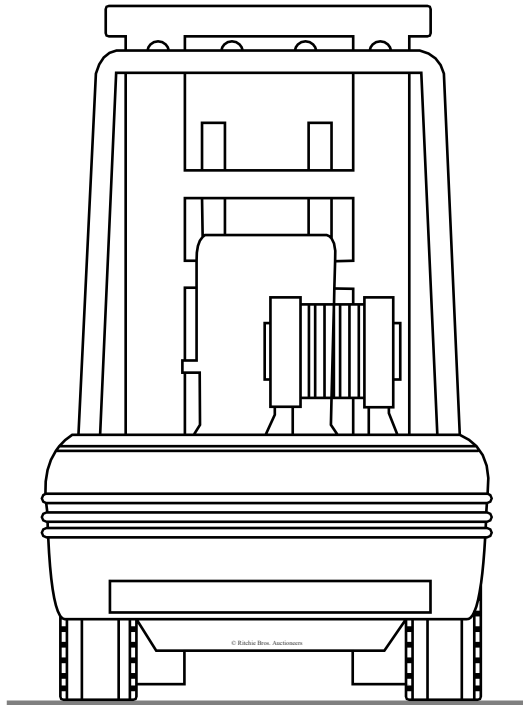


Caterpillar C6000 Forklift





Dimensions

Dimensions

A	Length to Fork Face	8.04 ft in
B	Overall Width	3.66 ft in
C	Overall Height - mast lowered	6.93 ft in
D	Wheelbase	4.6 ft in
E	Ground Clearance	3.15 in
F	Height to Top of Overhead Guard	6.81 ft in
G	Max Fork Height	10.86 ft in

MAST

H	Mast Tip Forward	5 degrees
---	-------------------------	-----------

Mast Tip Rear	6 degrees
---------------	-----------

Specifications

Engine

Engine Model	K25
Power	63 hp
Torque	139 lb ft
Power Measured @	2700 rpm
Displacement	152.6 cu in
Torque Measured @	1600 rpm
Fuel Type	gas

Operational

Operating Weight	9480 lb
Tire Type	cushion
Number of Front Wheels	2
Number of Rear Wheels	2
Max Speed	10.5 mph
MAST	
Load Capacity	6000 lb
Load Center	19.7 in
Mast Tip Forward	5 degrees
Mast Tip Rear	6 degrees
Max Fork Spread	37.8 in
Lift Speed	105 ft/min
Lower Speed	99 ft/min

Dimensions

Wheelbase	4.6 ft in
Length to Fork Face	8.1 ft in
Overall Width	3.7 ft in
Overall Height - mast lowered	7 ft in
Max Fork Height	10.9 ft in
Turning Radius	6.9 ft in
Height to Top of Overhead Guard	6.9 ft in
Ground Clearance	3.2 in
